

Air Treatment Box Sets



*Filter Regulator
Box Set
(With Bracket & Gauge)*



*Filter Regulator
Lubricator Box Set
(With Bracket & Gauge)*

1/4" 3/8" 1/2" Sizes Available

- Air Filtration to 25 Micron
(5 Micron on Request)
- Manual, Semi or Fully Automatic Drain
- Self-Relieving Diaphragm
(Outlet Pressure 0.5 -10 Bar)

Please contact your Local Pirtek Centre for
more details or call

UK: 0800 38 24 38

ROI: 1800 74 78 35

PRODUCT INDEX

	Series	Page
Filters	MC	528
Coalescing Filters	MC	528
Pressure Regulators	MC	529
Lubricators	MC	529
Filter/Regulators	MC	530
Lockable Isolation 3-way Valves	MC	530
3/2 Valves Pneumatically or Electropneumatically Operated	MC	531
Soft Start Valve	MC	531
Take-off Block	MC	531
FRL	MC Assembled	532
Assembly Manifold Regulators	MC	533
Pressure Regulators with Banjo in Technopolymer	CLR	534
Pressure Micro Regulators	M	535
Filter and Coalescing Filter	N	536
Pressure Regulators	N	537
Lubricators	N	537
Filter/Regulators	N	538
Pressure Gauges		538
Accessories for FRL	C, MC, N and M	539

Series MC Filters

Connections: 1/4, 3/8, 1/2
 Modular
 With metal bowl and bayonet-type mounting



CODING EXAMPLE

MC	1	04	-	F	0	0
MC	SERIES: MC			F	F = filter	
1	SIZE: 1 = 1/4 2 = 3/8 - 1/2			0	FILTERING ELEMENT: 0 = 25µm (standard) 1 = 5µm	
04	CONNECTIONS: 04 = 1/4 38 = 3/8 02 = 1/2			0	DRAINING OF CONDENSATE: 0 = normal - semi-automatic (standard) 3 = automatic (only 3/8 - 1/2) 4 = depressurisation (only 1/4) 5 = depressurisation, protected 8 = connection 1/8	

4.
8

	1/4	3/8	1/2
Semi Auto Drain			
25 micron	MC104 F00	MC238 F00	MC202 F00
5 micron	MC104 F10	MC238 F10	MC202 F10
Depressurisation Drain		Automatic Drain	
25 micron	MC104 F04	MC238 F03	MC202 F03
5 micron	MC104 F14	MC238 F13	MC202 F13
Depressurisation Drain Protected			
25 micron	MC104 F05	MC238 F05	MC202 F05
5 micron	MC104 F15	MC238 F15	MC202 F15
Connection 1/8			
25 micron	MC104 F08	MC238 F08	MC202 F08
5 micron	MC104 F18	MC238 F18	MC202 F18

Series MC Coalescing Filters

Connections: 1/4, 3/8, 1/2
 Modular
 With metal bowl and bayonet-type mounting



CODING EXAMPLE

MC	1	04	-	F	B	0
MC	SERIES: MC			F	F = filter	
1	SIZE: 1 = 1/4 2 = 3/8 - 1/2			B	FILTERING ELEMENT: 0 = 0.01µm	
04	CONNECTIONS: 04 = 1/4 38 = 3/8 02 = 1/2			0	DRAINING OF CONDENSATE: 0 = normal - semi-automatic (standard) 3 = automatic (only 3/8 - 1/2) 4 = depressurisation (only 1/4) 5 = depressurisation, protected 8 = connection 1/8	

	1/4	3/8	1/2
Coalescing Filter 0.01 Micron			
Semi Auto Drain	MC104 FB0	MC238 FB0	MC202 FB0
Depressurisation Drain	MC104 FB4	Automatic Drain MC238 FB3	MC202 FB3
Depressurisation Drain Protected	MC104 FB5	MC238 FB5	MC202 FB5
Connection 1/8	MC104 FB8	MC238 FB8	MC202 FB8

FILTERS, REGULATORS AND LUBRICATORS

Series MC Pressure Regulators

Connections: 1/4, 3/8, 1/2
Modular

CODING EXAMPLE

MC	1	04	-	R	0	0
-----------	----------	-----------	----------	----------	----------	----------

MC	SERIES: MC	R	R = regulator
1	SIZE: 1 = 1/4 2 = 3/8 - 1/2	0	OPERATING PRESSURE: 0 = 0.5 - 10 (standard) 1 = 0 - 4
04	CONNECTIONS: 04 = 1/4 38 = 3/8 02 = 1/2	0	DESIGN TYPE: 0 = self-relieving (standard) 1 = non-relieving



4.
8

Self Relieving	1/4	3/8	1/2
0.5 - 10 bar	MC104 R00	MC238 R00	MC202 R00
0 - 4 bar	MC104 R10	MC238 R10	MC202 R10

Non Relieving	1/4	3/8	1/2
0.5 - 10 bar	MC104 R01	MC238 R01	MC202 R01
0 - 4 bar	MC104 R11	MC238 R11	MC202 R11

Series MC Lubricators

Connections: 1/4, 3/8, 1/2
Modular
With metal bowl and bayonet-type mounting

CODING EXAMPLE

MC	1	04	-	L	00
-----------	----------	-----------	----------	----------	-----------

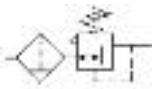
MC	SERIES: MC	L	L = lubricator
1	SIZE: 1 = 1/4 2 = 3/8 - 1/2	00	DESIGN TYPE: 00 = atomized oil
04	CONNECTIONS: 04 = 1/4 38 = 3/8 02 = 1/2		



	1/4	3/8	1/2
Part Number	MC104 L00	MC238 L00	MC202 L00

Series MC Filter/Regulator

Connections: 1/4, 3/8, 1/2
Compact (modular) with metal bowl and bayonet-type mounting



CODING EXAMPLE

MC	1	04	-	D	0	0
MC	SERIES: MC			D	D = filter/regulator	
1	SIZE: 1 = 1/4 2 = 3/8 - 1/2			0	FILTERING ELEMENT: 0 = 25µm (standard) 1 = 5µm	
04	CONNECTIONS: 04 = 1/4 38 = 3/8 02 = 1/2			0	DRAINING OF CONDENSATE: 0 = - semi-automatic self-relieving (standard) 1 = semi-automatic, non-relieving 3 = automatic (only 3/8 - 1/2) 4 = depressurisation (only 1/4) 5 = depressurisation, protected 8 = connection 1/8	

4.
8

Semi Auto Drain Self Relieving	1/4	3/8	1/2
25 micron	MC104 D00	MC238 D00	MC202 D00
5 micron	MC104 D10	MC238 D10	MC202 D10
Semi Auto Drain Non Relieving	1/4	3/8	1/2
25 micron	MC104 D01	MC238 D01	MC202 D01
5 micron	MC104 D11	MC238 D11	MC202 D11
Depressurisation Drain	1/4	Automatic Drain 3/8	1/2
25 micron	MC104 D04	MC238 D03	MC202 D03
5 micron	MC104 D14	MC238 D13	MC202 D13
Depressurisation Drain Protected	1/4	3/8	1/2
25 micron	MC104 D05	MC238 D05	MC202 D05
5 micron	MC104 D15	MC238 D15	MC202 D15
Connection 1/8	1/4	3/8	1/2
25 micron	MC104 D08	MC238 D08	MC202 D08
5 micron	MC104 D18	MC238 D18	MC202 D18

Series MC Lockable Isolation 3-way Valve

Connections: 1/4, 3/8, 1/2
Modular



CODING EXAMPLE

MC	1	04	-	V	01
MC	SERIES: MC			V	V = 3-way Valve
1	SIZE: 1 = 1/4 2 = 3/8 - 1/2			01	DESIGN TYPE: 01 = padlock valve (manual operation)
04	CONNECTIONS: 04 = 1/4 38 = 3/8 02 = 1/2				

Part Number	1/4	3/8	1/2
	MC104 V01	MC238 V01	MC202 V01

FILTERS, REGULATORS AND LUBRICATORS

Series MC 3/2 Valve Pneumatically or Electropneumatically Operated

Connections: 1/4, 3/8, 1/2
Modular

CODING EXAMPLE

MC	1	04	-	V	16
-----------	----------	-----------	----------	----------	-----------

MC SERIES: MC

1	SIZE: 1 = 1/4 2 = 3/8 - 1/2	V	V = 3/2 valve
----------	-----------------------------------	----------	---------------

04	CONNECTIONS: 04 = 1/4 38 = 3/8 02 = 1/2	16	DESIGN TYPE: 16 = electropneumatic 36 = pneumatic
-----------	--	-----------	---



	1/4	3/8	1/2
Electropneumatic	MC104 V16	MC238 V16	MC202 V16
Pneumatic	MC104 V36	MC238 V36	MC202 V36

Series MC Soft Start Valve

Connections: 1/4, 3/8, 1/2
Modular

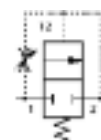
CODING EXAMPLE

MC	1	04	-	AV
-----------	----------	-----------	----------	-----------

MC SERIES: MC

1	SIZE: 1 = 1/4 2 = 3/8 - 1/2	AV	AV = soft start valve
----------	-----------------------------------	-----------	-----------------------

04	CONNECTIONS: 04 = 1/4 38 = 3/8 02 = 1/2		
-----------	--	--	--



	1/4	3/8	1/2
Part Number	MC104 AV	MC238 AV	MC202 AV

Series MC Take-off Block

Connections: 1/4 and 1/2

CODING EXAMPLE

MC	2	-	B	-	VNR
-----------	----------	----------	----------	----------	------------

MC SERIES: MC

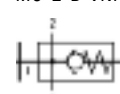
2	SIZE: 1 = 1/4 2 = 1/2	VNR	VERSION: VNR = with non return valve
----------	-----------------------------	------------	---

B	B = take off block		
----------	--------------------	--	--

MC-1-B
MC-2-B



MC-1-B-VNR
MC-2-B-VNR



	1/4	1/2
Part Number	MC1-B	MC2-B
Part Number	MC1-B-VNR	MC2-B-VNR

FRL Series MC Assembled

Connections: 1/4, 3/8, 1/2

The FRL Series MC in the assembled versions are easier to order (one single code) and to mount.



CODING EXAMPLE

MC	1	04	-	C	-	25	-	FL
-----------	----------	-----------	----------	----------	----------	-----------	----------	-----------

MC SERIES: MC

<p>1 SIZE: 1 = 1/4 2 = 3/8 - 1/2</p>	<p>C ASSEMBLY GROUP: C = D + L E = V01 + D + L FRL = F + R + L GN = D + L + V16 + AV HNA = V01 + D + L + V16 + AV + PRESS N.A. HNC = V01 + D + L + V16 + AV + PRESS N.C. N = V01 + D PN = D + V16 + AV QN = V01 + D + V16 + AV TN = V01 + D + L + V16 + AV U = F13 + FB3 (only 3/8 - 1/2) ZNA = V01 + D + V16 + AV + PRESS N.A. ZNC = V01 + D + V16 + AV + PRESS N.C.</p>	<p>25 FILTERING ELEMENT: 5 = 5 μm (upon request) 25 = 25 μm (standard)</p>
<p>04 CONNECTIONS: 04 = 1/4 38 = 3/8 02 = 1/2</p>		<p>FL VERSION: FL = with terminal flanges</p>

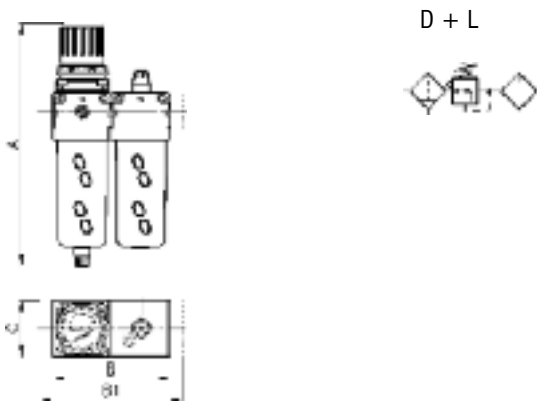
4.8

ASSEMBLY GROUP KEY

D	Filter-regulator 0-10 bar semi-automatic manual drain filtering element 25μm	F	Filter 25 μm
V01	Valve 3/2 way manually operated	R	Regulator 0 - 10 bar
V16	Valve 3/2 way electropneumatically operated	AV	Soft start valve
L	Lubricator	PRESS	Pressure switches (defined if N.C. or N.A.)
		F13	Filter 5μm or 25μm with automatic drain
		FB3	Coalescing filters with automatic drain, 0,01μm 3/8 - 1/2

Assembly group C

(see above for descriptions)

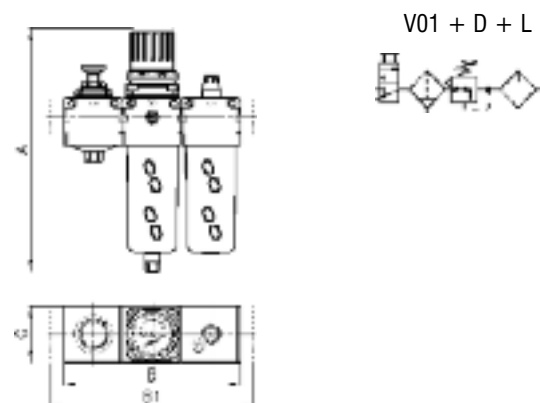


Including gauge and bracket

DIMENSIONS					
Part Number	A	B	B1	C	Connection
MC104-C-25	193.5	90	-	45	1/4
MC104-C-25-FL	193.5	-	114	45	1/4
MC238-C-25	256.5	124	-	60	3/8
MC238-C-25-FL	256.5	-	152	60	3/8
MC202-C-25	256.5	124	-	60	1/2
MC202-C-25-FL	256.5	-	152	60	1/2

Assembly group E

(see above for descriptions)



Including gauge and bracket

DIMENSIONS					
Part Number	A	B	B1	C	Connection
MC104-E-25	193.5	135	-	45	1/4
MC104-E-25-FL	193.5	-	159	45	1/4
MC238-E-25	256.5	186	-	60	3/8
MC238-E-25-FL	256.5	-	214	60	3/8
MC202-E-25	256.5	186	-	60	1/2
MC202-E-25-FL	256.5	-	214	60	1/2

FILTERS, REGULATORS AND LUBRICATORS

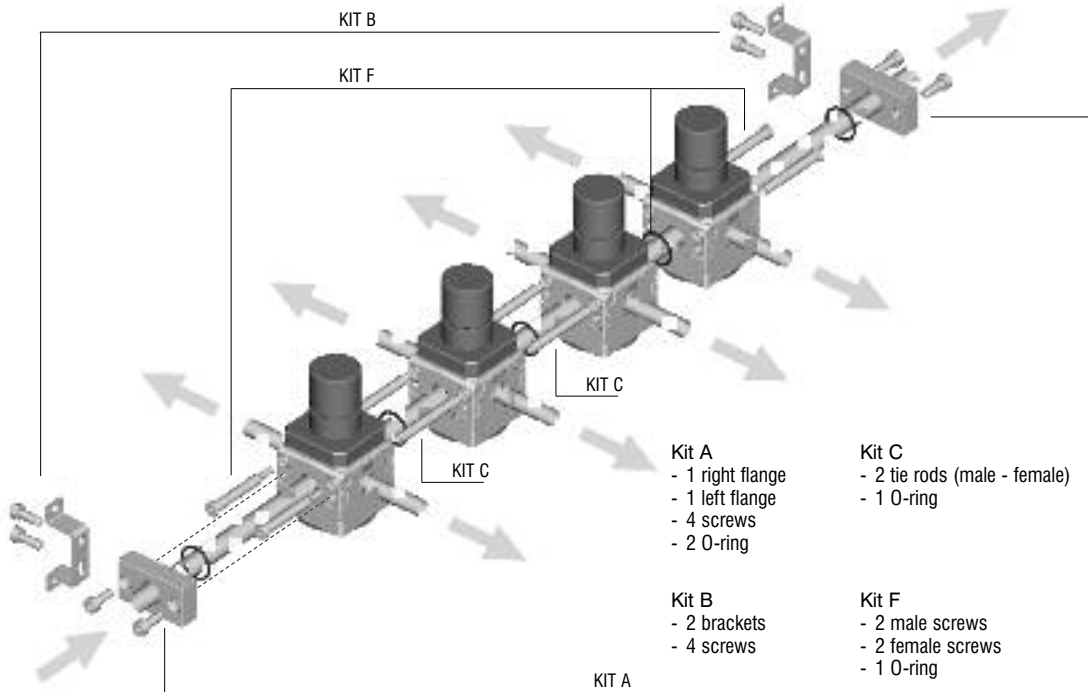
Series MC Assembly Manifold Regulators

Regulators for manifold assembly

CODING EXAMPLE

MC	1	04	-	M	0	0
-----------	----------	-----------	----------	----------	----------	----------

MC	SERIES: MC	M	M = manifold regulator
1	SIZE: 1 = 1/4	0	OPERATING PRESSURE: 0 = 0.5 - 10 (standard) 1 = 0 - 4
04	CONNECTIONS: 04 = 1/4	0	CONSTRUCTION: 0 = self-relieving (standard) 1 = non-relieving



4.
8

Manifold Regulator	Kit A	Kit B	Kit C	Kit F
Part Number	MC104 M00	MC104-FL	MC104-ST	MC1-VMF

Assembly without terminal flanges



Body	Kit
H + H	1 Kit "F"
H + H + H	1 Kit "F" + 1 Kit "C"
H + H + H + H	1 Kit "F" + 2 Kit "C"
H + H + H + H + H	1 Kit "F" + 3 Kit "C"

Assembly with terminal flanges

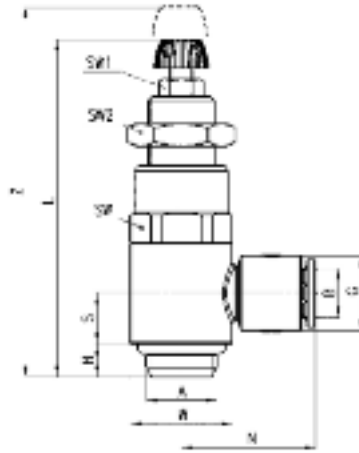


Body	Kit
H + H	1 Kit "A" + 1 Kit "F"
H + H + H	1 Kit "A" + 1 Kit "F" + 1 Kit "C"
H + H + H + H	1 Kit "A" + 1 Kit "F" + 2 Kit "C"
H + H + H + H + H	1 Kit "A" + 1 Kit "F" + 3 Kit "C"

Series CLR Pressure Regulators with Banjo in Technopolymer

Connections: 1/8, 1/4

These Pressure Regulators are supplied complete with banjo, in-line or console mounting



Technical Data

Type of Construction
Piston regulator

Inlet Pressure
2 to 10 bar

Outlet Pressure
0.5 to 10 bar

Operating Temperature
0°C to +50°C

Nominal Flow
See graphs

Secondary Pressure Relieving
Standard

Materials
Brass, technopolymer, NBR

Connections
1/8 - 1/4

Weight
CLR 1/8 = 35g CLR 1/4 = 50g

Mountings
In-line or panel mounting
(in any position)

4.
8

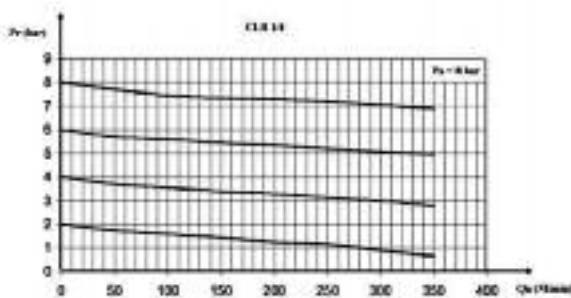
CODING EXAMPLE

CL	R	1/8	-	4
-----------	----------	------------	----------	----------

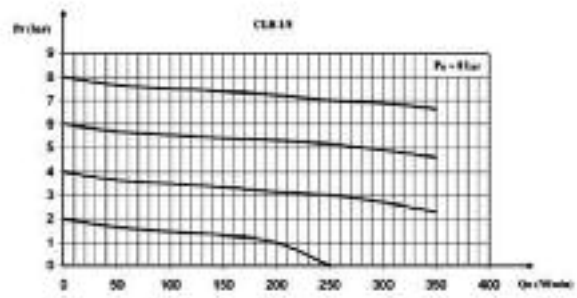
CL	SERIES: CL	1/8	CONNECTIONS: 1/8, 1/4
R	R = regulator	4	DIAMETER: ø4 (1/8 only) ø6 ø8

Part Number	A	B	G	H	L	N	S	W	SW	SW1	SW2	Z
CLR 1/8-4	1/8	4	11.6	5	55	21	7.75	14	14	7	14	42.5
CLR 1/8-6	1/8	6	11.6	5	55	21	7.75	14	14	7	14	42.5
CLR 1/8-8	1/8	8	13.9	5	55	22.5	7.75	14	14	7	14	42.5
CLR 1/4-6	1/4	6	13.9	6	61.5	24.5	9.25	18.6	17	7	17	48
CLR 1/4-8	1/4	8	13.9	6	61.5	24.5	9.25	18.6	17	7	17	4

Flow Diagrams



Flow diagram for models: CLR 1/4
 P_a = Inlet pressure (10 Bar)
 P_r = Regulated pressure
 Q_n = Flow



Flow diagram for models: CLR 1/8
 P_a = Inlet pressure (10 Bar)
 P_r = Regulated pressure
 Q_n = Flow

FILTERS, REGULATORS AND LUBRICATORS

Series M Pressure Micro Regulator

Connections: 1/8, 1/4

CODING EXAMPLE

M	0	04	-	R	0	0	-
----------	----------	-----------	----------	----------	----------	----------	----------

M	SERIES: M	
0	SIZE: 0	0 OPERATING PRESSURE: 0 = 0.5 - 10 (standard) 1 = 0 - 4
04	CONNECTIONS: 08 = 1/8 04 = 1/4	0 DESIGN TYPE: 0 = self-relieving 1 = non-relieving 5 = precise setting
R	R = regulator	- REGULATION TYPE: = without high relief flow VS = high relief flow



4.
8

*High relief flow available on request

Self Relieving	1/8	1/4	Non Relieving	1/8	1/4
0.5 - 10 bar	M008 R00	M004 R00	0.5 - 10 bar	M008 R01	M004 R01
0 - 4 bar	M008 R10	M004 R10	0 - 4 bar	M008 R11	M004 R11
Precise Setting	1/8	1/4	Precise Setting	1/8	1/4
0.5 - 10 bar	M008 R05	M004 R05	0 - 4 bar	M008 R15	M004 R15

Series N Filter and Coalescing Filter

Connections: 1/8 and 1/4
with screw-on transparent bowl



CODING EXAMPLE

N	2	04	-	F	0	0
----------	----------	-----------	----------	----------	----------	----------

N	SERIES: N	F	F = filter
2	SIZE: 1 = small bowl 2 = standard bowl	0	FILTERING ELEMENT: 0 = 25µm (standard) 1 = 5µm B = 0.01µm
04	CONNECTIONS: 08 = 1/8 04 = 1/4	0	DRAINING OF CONDENSATE: 0 = manual - semi-automatic 4 = depressurisation 5 = depressurisation, protected 8 = connection 1/8

4.
8

Semi Auto Drain	1/8 Small Bowl	1/4 Small Bowl	1/8 Standard Bowl	1/4 Standard Bowl
25 micron	N108 F00	N104 F00	N208 F00	N204 F00
5 micron	N108 F10	N104 F10	N208 F10	N204 F10

Depressurisation Drain	1/8 Standard Bowl	1/4 Standard Bowl
25 micron	N208 F04	N204 F04
5 micron	N208 F14	N204 F14

Depressurisation Drain Protected	1/8 Standard Bowl	1/4 Standard Bowl
25 micron	N208 F05	N204 F05
5 micron	N208 F15	N204 F15

Connection 1/8	1/8 Small Bowl	1/4 Small Bowl	1/8 Standard Bowl	1/4 Standard Bowl
25 micron	N108 F08	N104 F08	N208 F08	N204 F08
5 micron	N108 F18	N104 F18	N208 F18	N204 F18

Coalescing Filter 0.01 micron	1/8 Small Bowl	1/4 Small Bowl	1/8 Standard Bowl	1/4 Standard Bowl
Semi Auto Drain	N108 FB0	N104 FB0	N208 FB0	N204 FB0
Depressurisation Drain			N208 FB4	N204 FB4
Depressurisation Drain Protected			N208 FB5	N204 FB5
Connection 1/8	N108 FB8	N104 FB8	N208 FB8	N204 FB8

FILTERS, REGULATORS AND LUBRICATORS

Series N Pressure Regulators

Connections: 1/8, 1/4

CODING EXAMPLE

N	12	04	-	R	0	0
N	SERIES: N			R	R = regulator	
12	SIZE: 12			0	OPERATING PRESSURE: 0 = 0.5 - 10 (standard) 1 = 0 - 4	
04	CONNECTIONS: 08 = 1/8 04 = 1/4			0	DESIGN TYPE: 0 = self-relieving 1 = non-relieving	



4.
8

Self Relieving	1/8	1/4	Non Relieving	1/8	1/4
0.5 - 10 bar	N1208 R00	N1204 R00	0.5 - 10 bar	N1208 R01	N1204 R01
0 - 4 bar	N1208 R10	N1204 R10	0 - 4 bar	N1208 R11	N1204 R11

Series N Lubricator

Connections: 1/8, 1/4
with screw-on transparent bowl

CODING EXAMPLE

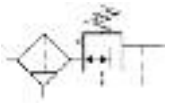
N	2	04	-	L	00	
N	SERIES: N					
2	SIZE: 1 = small bowl 2 = standard bowl			L	L = lubricator	
04	CONNECTIONS: 08 = 1/8 04 = 1/4			00	DESIGN TYPE: 00 = atomized oil	



Part Number	Connection
N108 L00	1/8
N104 L00	1/4
N208 L00	1/8
N204 L00	1/4

Series N Filter/Regulator

Connections: 1/8, 1/4
with screw-on transparent bowl



CODING EXAMPLE

N	2	04	-	D	0	0
N	SERIES: N			D	D = filter/regulator	
2	SIZE: 1 = small bowl 2 = standard bowl			0	FILTERING ELEMENT: 0 = 25µm standard 1 = 5µm	
04	CONNECTIONS: 08 = 1/8 04 = 1/4			0	DRAINING OF CONDENSATE: 0 = semi-automatic, self-relieving 1 = semi-automatic, non-relieving 4 = depressurisation, self-relieving 5 = depressurisation, protected 8 = connection 1/8	

4.
8

Semi Auto Drain	1/8 Small Bowl	1/4 Small Bowl	1/8 Standard Bowl	1/4 Standard Bowl
25 micron	N108 D00	N104 D00	N208 D00	N204 D00
5 micron	N108 D10	N104 D10	N208 D10	N204 D10

Depressurisation Drain	1/8 Standard Bowl	1/4 Standard Bowl
25 micron	N208 D04	N204 D04
5 micron	N208 D14	N204 D14

Depressurisation Drain Protected	1/8 Standard Bowl	1/4 Standard Bowl
25 micron	N208 D05	N204 D05
5 micron	N208 D15	N204 D15

Connection 1/8	1/8 Small Bowl	1/4 Small Bowl	1/8 Standard Bowl	1/4 Standard Bowl
25 micron	N108 D08	N104 D08	N208 D08	N204 D08
5 micron	N108 D18	N104 D18	N208 D18	N204 D18

Pressure Gauges

Pressure gauges ø43 - 53 - 63 mm.
Other Pressure Gauges available on request



Part Number
M043-R06
M043-R12
M053-R12
M063-R12



Part Number
M043-P04
M043-P06
M043-P10
M043-P12
M053-P04
M053-P06
M053-P10
M053-P12
M063-P04
M063-P06
M063-P12



Part Number
M043-F04
M043-F06
M043-F10
M043-F12
M063-F12

FILTERS, REGULATORS AND LUBRICATORS

Accessories for FRL Series C, MC, N, M

Terminal flanges (pair). Series MC (kit A)
Complete with: N° 4 screws, N° 2 O-Ring

Part Number	Connection
MC104-FL	1/4
MC238-FL	3/8
MC202-FL	1/2



2 mounting brackets. Series MC (kit B)
For 1/4, 3/8 and 1/2.
Complete with: N° 4 screws M5

Part Number
MC104-ST



Tie-rod for assembling Series MC (kit C)
Male and female tie-rods complete with:
N° 2 tie-rods, N° 1 O-Ring

Part Number	Connection
MC1-TMF	1/4
MC2-TMF	3/8-1/2



Tie-rod for assembling Series MC (kit D)
Female tie-rods complete with:
N° 2 tie-rods

Part Number	Connection
MC1-TFF	1/4
MC2-TFF	3/8-1/2



Screw for assembling Series MC (kit E)
Complete with:
N° 2 screws, N° 1 O-Ring

Part Number	Connection
MC1-VM	1/4
MC2-VM	3/8-1/2



Screw for assembling Series MC (kit F)
Complete with:
N° 2 male screws, N° 2 female screws, N° 1 O-Ring

Part Number	Connection
MC1-VMF	1/4
MC2-VMF	3/8-1/2



Fixing flange Series C
F-L-R-D (for C401), complete with:
N° 4 screws, N° 2 O-Ring 3150

Part Number	Connection
C434-FL	3/4
C401-FL	1



Mounting bracket Series N
F-L (for 1/8, 1/4).
Complete with: N° 2 screws

Part Number
N204-ST



Mounting bracket. Series MC-M-N
R-D (1/8 - 1/4)

Part Number
C114-ST



Mounting bracket. Series MC-M-N
R-D (1/8 - 1/4)

Part Number	Connection
C114-ST/1	



Mounting bracket. Series MC-M-N
R-D (1/8 - 1/4)

Part Number	Connection
C114-ST/2	



Mounting bracket Series C
V-F-L-R-D (for C238 and C202)
complete with:
N° 2 screws

Part Number
C238-ST/1



Mounting bracket Series C
R-D (for C401).
Complete with:
N° 2 screws

Part Number
C401-ST



Mounting bracket Series C
F-R-L (for C401).
Complete with:
N° 2 screws

Part Number
C401-ST/2



Screw for assembling Series C
F-L-R-D (for C401).
Complete with:
N° 2 screws, N° 1 O-Ring 3150 (spare part only)

Part Number
C4-V



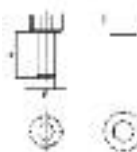
Assembly O-ring, Series C-MC
F-R-L-D

Part Number	
458-33/1	(MC104)
80-26-11/4T	(MC238-MC202)
C401-F33	(C401)



Screw for assembling Series MC
F-R-L (for C401).
Complete with:
N° 2 screws

Part Number
MC1-VMD



4.
8